

# Trawl eye

# TE40-1/2

## TECHNICAL SPECIFICATIONS

### Transmission

Frequency range: 43.6 – 46.3 kHz  
 Source level  
 - High power: 188 dB // 1uPa @ 1m  
 - Low power: 180 dB // 1uPa @ 1m  
 Beam width: 70 deg  
 Range to vessel: Approx. 2000 m (Note 1)

### Operation

Update rate fast: 1.3 sec  
 Update rate medium: 3.2 sec  
 Update rate slow: 4.2 sec  
 Max. depth: 1200 m

### Battery

Type: NiCd, 10.8V / 5.0 Ah  
 Operation time: 10 - 25 hrs ????

### Echo sounder

Frequency: 97 kHz  
 Beam width, up/down:  
 - TE-40 40 deg / 40 deg (- 3 dB)  
 - TE-40-2 40 deg / 20 deg (- 3 dB)  
 Range, up / down: 15, 30, 60, 90, 120, 150 m  
 Range down only: 180,240, 300 m  
 Vertical resolution: 0.15 to 0.75 m ????

### Weight

In air: 11.7 kg (incl. Battery)  
 In water: 4.3 kg (incl. Battery)

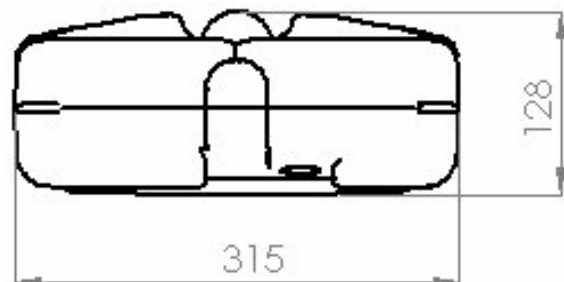
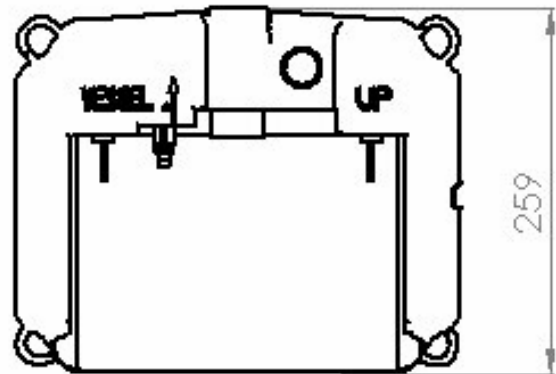
### Main dimensions

Length: 315 mm  
 Width: 259 mm  
 Height: 128 mm

### Available options

Protective housing: 105010  
 Battery pack: 105570  
 Battery charger: TBC-05

### Approvals



Note 1: Depends on acoustic conditions, ships noise, mounting and alignment of sensors and hydrophone.

Revision no: 1.0	Product name: TE40-1/2	Document no. 105788
Revision date: 09.10.2003	Product part no: 103424/104247	

Note: All specifications are subject to change without prior notice