

Grid Sensor

HC4 GS

TECHNICAL SPECIFICATIONS

Transmission

Frequency range: 38.9 – 43.4 kHz
 Source level: 190 dB // 1uP @ 1m
 Beam width: Approx. 50 deg (-3dB)
 Range to vessel: Approx. 2500 m (Note 1)

Operation

Update rate along: Approx. 25 sec
 Update angle: Approx. 25 sec
 Average transmission: Approx. 12.5
 Max. depth: 1200 m

Battery

Type: NiCd, 2x12V / 600 mAh
 Charging time: 1.5 hour (QBC-05)
 Operation time: Approx. 30 hrs

Measurement

Along trawl path: 0 to 6 knots
 Accuracy: $\pm 10\%$ of value
 (Min. ± 0.1 knots)
 Angle measurements: ± 30 deg
 Accuracy: ± 1 deg

Weight

In air: 7.3 kg
 In water: 2.4 kg

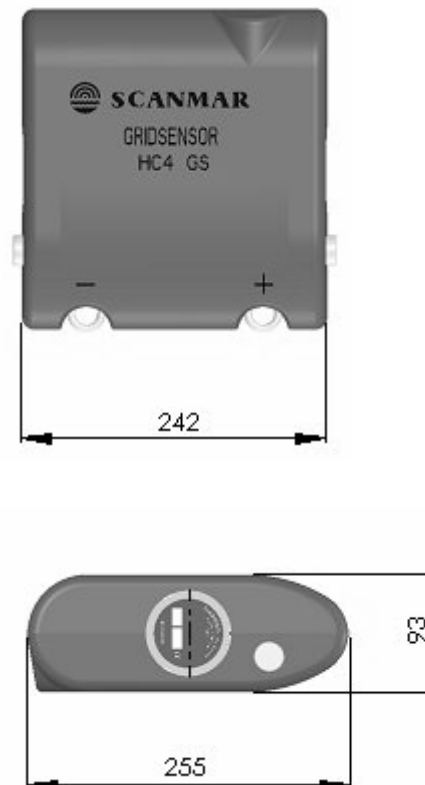
Main dimensions

Length: 255 mm
 Width: 242 mm
 Height: 93 mm

Available options

Mounting kit: 104017
 Battery pack: 105485 (2 pcs)
 Battery charger: QBC-05

Approvals



Note 1: Depends on acoustic conditions, ships noise, mounting and alignment of sensors and hydrophone.

Revision no: 1.0	Product name: HC4 GS	Document no. 105775
Revision date: 09.10.2003	Product part no: 103958	

Note: All specifications are subject to change without prior notice