

HYDROPHONE

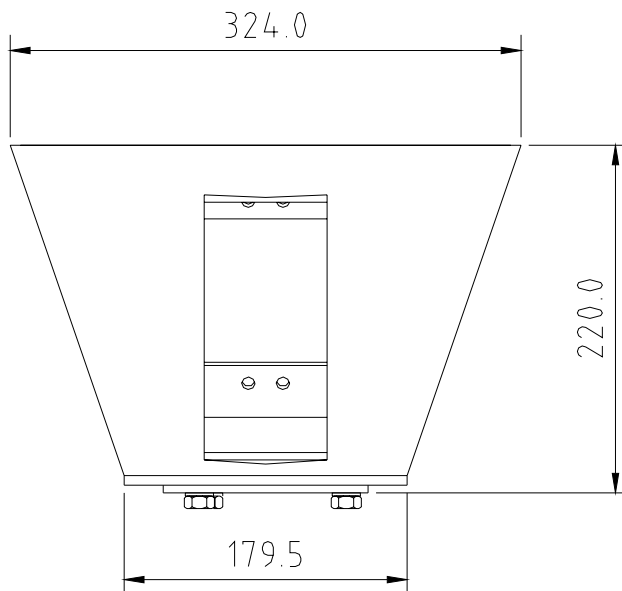
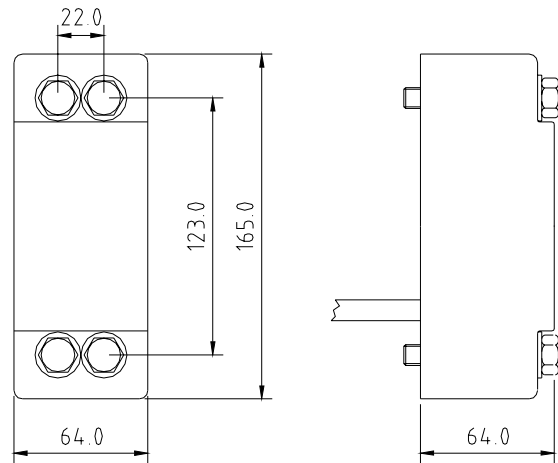
Technical specifications

Frequency range ~ 40,8 - 44,8 kHz
Sensitivity ~ 147 dBV/ μ Pa

Length 165 mm
Wid 64 mm
Height 64 mm

Beam width (3 dB):
- horizontal 50°
- vertical 30°

Inclination angle:
Given by trunk TR-04 20°
Cable length 25m



Trunk:
Height 220 mm
Diameter 324 mm
Weight ~10 kg